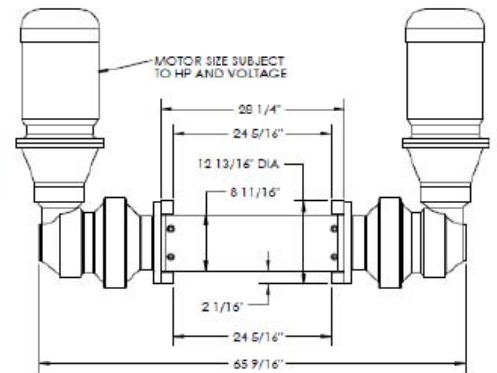


**SIMPLE SOLID RELIABLE**

5000 - 6000 LBS PER HOUR\*  
ALPINE SMOOTHSHRED STARTERS  
40 HORSEPOWER  
480 - 3 PHASE  
24 INCH THROAT



**720 E - 16**

**SPECIFICATIONS**

<b>720 SSR E - 16 SHREDDER</b>	
Shredder	ALPINE SSR 7 - 720 - 16
Cutters	8" D - 5/8 "
Cutter Type	Solid - No Adjust
Performance	5000-6000 LBS/HR*
Gearboxes	One per shaft
Gearbox Type	Planetary
Motors	Twin 20 HP
Total HP	40 HP
Throat	24 Inch
Hopper	Variable to suit
Starters	ALPINE SMOOTHSHRED
System Voltage	460 V / 3 PH
Shaft Warranty	Prorated 3 YR / 3000 HRS
System Warranty	1 Year
Controls	Integrated
Wiring	15 feet - Plug and Play
E- Stops	1 Emergency Stop

**ALPINE 720 E-16**

The 720 E Series shredders have proven their durability on every continent and have built a reputation for simplicity, performance and very low maintenance.

The SOLID CUTTERS are the key. Each cutter is machined out of a single block of special grade steel and then surface treated for durability.

With 3 TIMES the deflection resistance of stacked cutter systems using an inner shaft and segmented cutters, the ALPINE system handles tough jobs with ease and is proven more durable in paper and fiber applications.

\* THROUGHPUT VARIES WITH MATERIAL - CONTACT ALPINE FOR DETAILS