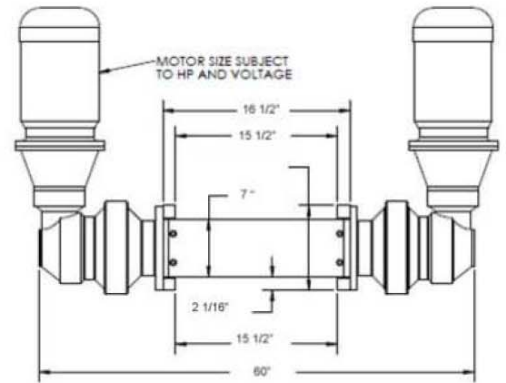


SIMPLE SOLID RELIABLE

2500 - 3500 LBS PER HOUR*
ALPINE SMOOTHSHRED STARTERS
20 HORSEPOWER
480 - 3 PHASE
16 INCH THROAT



512 SSR E - 12 SHREDDER

| | |
|-----------------|-------------------------|
| Shredder | ALPINE SSR 5 - 512 - 16 |
| Cutters | 6" D - 5/8" |
| Cutter Type | Solid - No Adjust |
| Performance | 2500-3500 LBS/HR* |
| Gearboxes | One per shaft |
| Gearbox Type | Planetary |
| Motors | Twin 20 HP |
| Total HP | 20 HP |
| Throat | 16 INCH |
| Hopper | Variable to suit |
| Starters | ALPINE SMOOTHSHRED |
| System Voltage | 460 V / 3 PH |
| Shaft Warranty | Prorated 3 YR/ 3000 HRS |
| System Warranty | 1 Year |
| Controls | Integrated |
| Wiring | 15 feet - Plug and Play |
| E- Stops | 1 Emergency Stop |

ALPINE 512 E-16

The 512 E Series shredders have proven their durability on every continent and have built a reputation for simplicity, performance and very low maintenance.

The SOLID CUTTERS are the key. Each cutter shaft is machined out of a single block of special grade steel and then surface treated for durability.

With 3 TIMES the deflection resistance of stacked cutter systems using an inner shaft and segmented cutters, the ALPINE system handles tough jobs with ease and is proven more durable in paper and fiber applications.

* THROUGHPUT VARIES WITH MATERIAL - CONTACT ALPINE FOR DETAILS

512 E - 12

SPECIFICATIONS

