

## INDUSTRIAL PAPER SHREDDERS Series 1: Cross Cut Shredders

These conveyor fed industrial paper shredders are designed for high volume, centralized shredding.

They are available in 3 to 10 horsepower with a choice of three cross cuts. They will shred corrugated boxes, credit cards and DVD's as easily as paper.

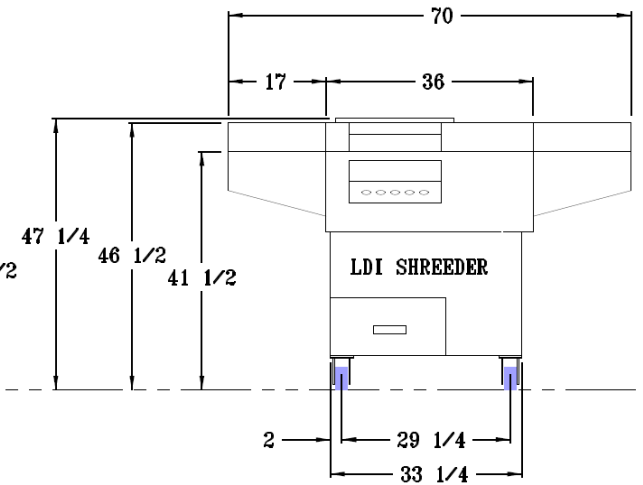
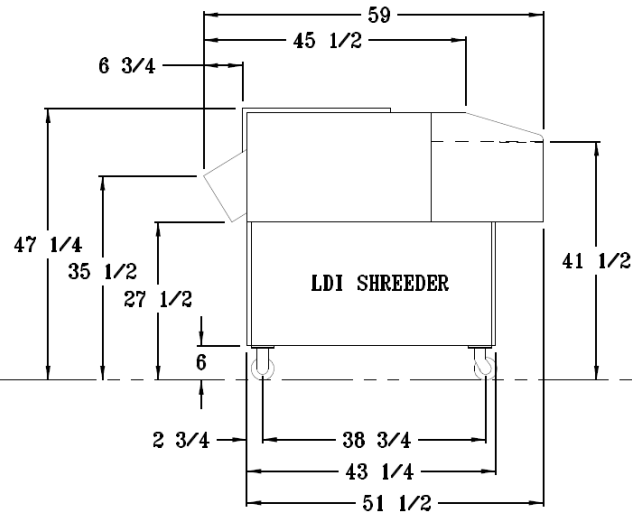
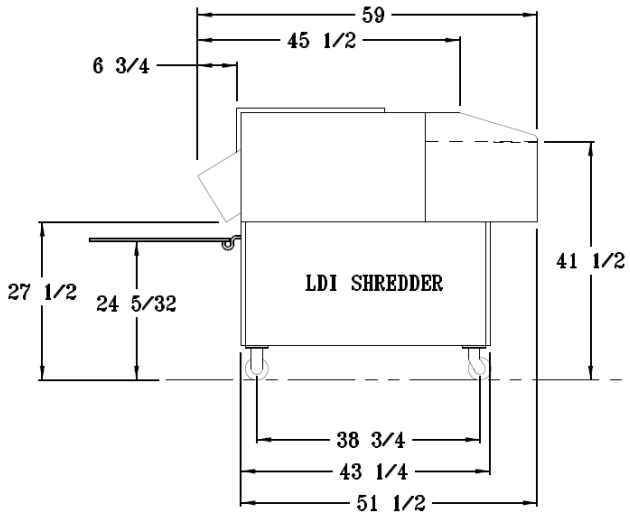
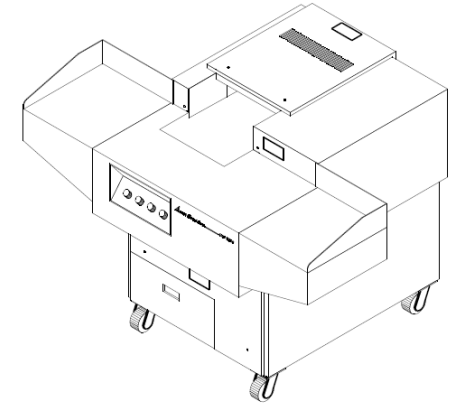
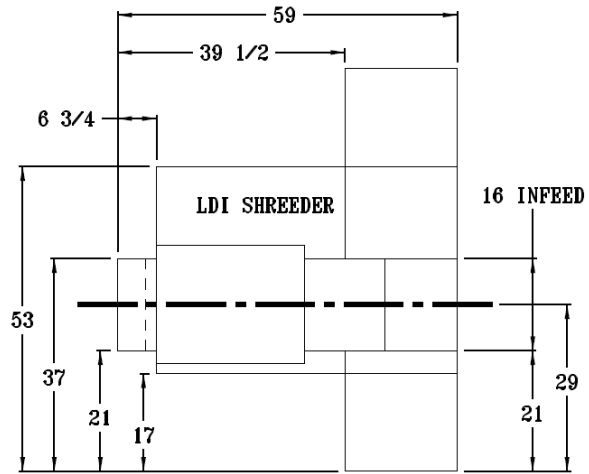
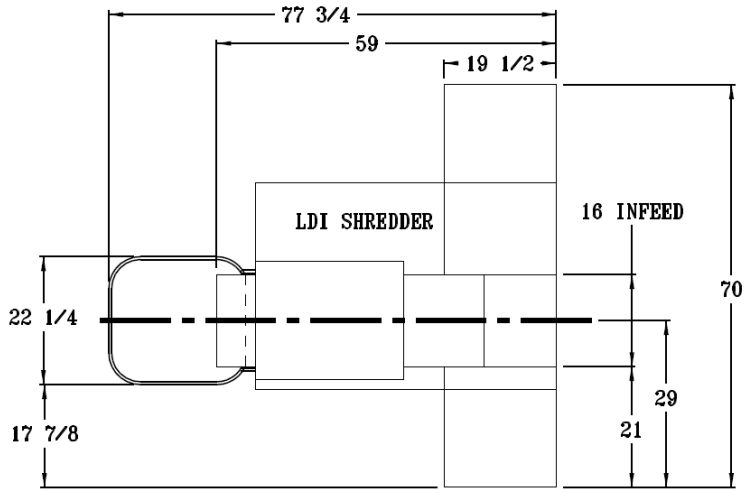
### Standard Features:

- 1/8" x 5/8", 1/8" x 1-1/2" or 1/4" x 1-7/8" cross cuts
- 16" wide infeed conveyor
- Solid steel construction
- 208, 230 or 460 volt; 1 or 3 phase
- Capacities are reduced with single phase power
- Bag holder or output conveyor
- Auto lubrication available
- One year warranty on parts
- 59" L x 36" W x 47.5" H



SPECIFICATIONS						
Model Number	Horse Power	1/8" x 5/8" Lbs. / Hour	1/8" x 1-1/2" Lbs. / Hour	1/4" x 1-7/8" Lbs. / Hour	Speed (FPM)	Weight (Lbs.)
AMS-300	3 HP	250-450	300-550	350-600	44	1600
AMS-500	5 HP	300-500	400-600	400-650	42	1660
AMS-750	7.5 HP	400-600	450-650	500-750	62	1725
*AMS-1000	10 HP	N / A	N / A	650-900	73	1800

\*AMS-1000 is not available in single phase power



**INDUSTRIAL PAPER SHREDDERS**  
**Series 1: Strip Cut Shredders**

These conveyor fed industrial paper shredders are designed for high volume, centralized shredding.

They are available in 3 to 10 horsepower with a choice of three shred widths. They will shred corrugated boxes, credit cards and DVD's as easily as paper.

**Standard Features:**

- 16" wide infeed conveyor
- Solid steel construction
- 1/4", 5/16" or 1/2" shred width
- 208, 230 or 460 volt; 1 or 3 phase
- Capacities are reduced with single phase power
- Bag holder or output conveyor
- Auto lubrication available
- Heavy duty casters
- One year warranty on parts
- 59" L x 36" W x 47.5" H



SPECIFICATIONS						
Model Number	Horse Power	1/4" Lbs. / Hour	5/16" Lbs. / Hour	1/2" Lbs. / Hour	Speed (FPM)	Weight (Lbs.)
AMS-300	3 HP	300-500	400-600	550-750	49	1345
AMS-500	5 HP	450-650	600-800	750-950	47	1400
AMS-750	7.5 HP	650-800	800-1000	950-1150	67	1465
AMS-1000	10 HP	800-950	1000-1200	N / A	78	1525

