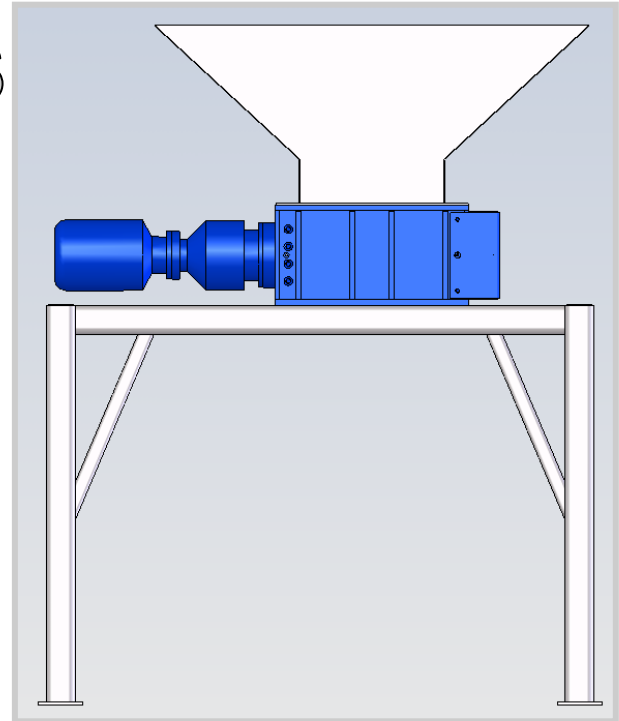


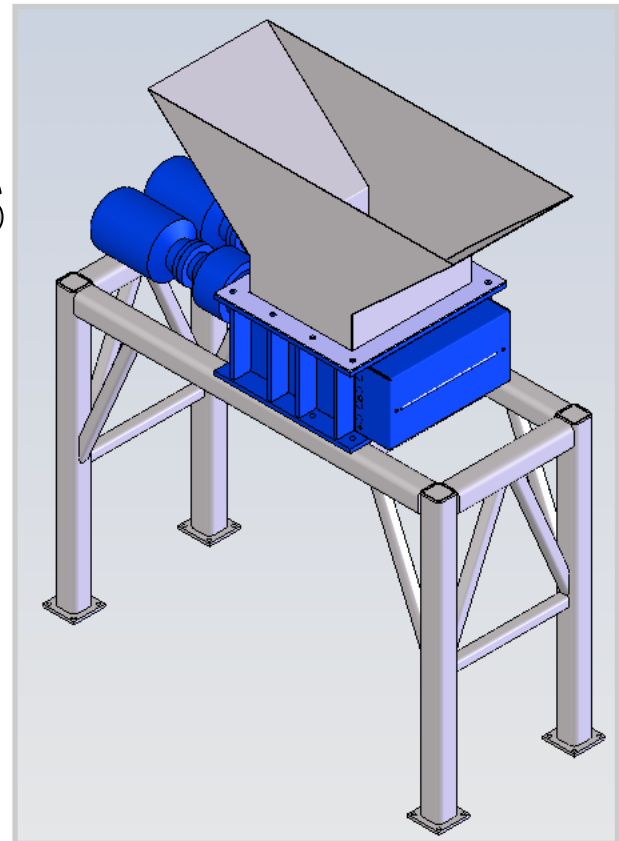
SPÉCIFICATIONS

- 1- 2 moteurs de 10 hp
- 2- Lambeaux; 5/8 * 4-7 pouces nominal
- 3- Capacité: 2000 lb/hre approx.
- 4- Chambre des couteaux: 20*22 pouces
- 5- Garantie 1 an
- 6- Poids ; +/- 3200 lb
- 7- 208v/3ph/32.2amp par moteur 60amp min.
- 8- 600v/3ph/11amp par moteur minimum 20amp



CARACTÉRISTIQUES

- Un moteur par shaft. Réduit l'entretien.
- Configuration des couteaux: un shaft avec des espaceurs et des couteaux, la vitesse de rotation des shafts est différente l'une de l'autre pour avoir une coupe croisé différente.
- Le PT _2000 combiné avec le AMS -3000 donne des lambeaux d'une grosseur +/- 5/16 * 5/8 pouces et une capacité de 2 000lb/hre.



The Pierce & Tear Hogger Shredder

Rugged: all steel construction

Compact: innovative design saves space

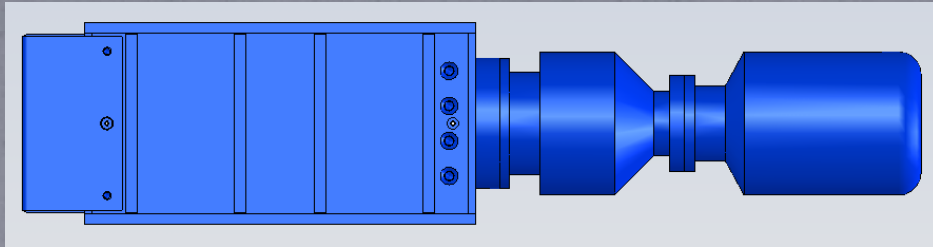
Efficient: designed for jam free operation maximizing thru-put



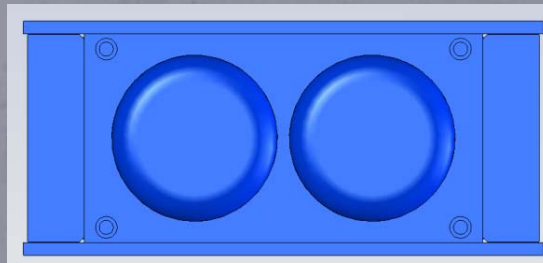
Cutting zone can be hopper or belt fed
This unit will shred any fibrous material including hardcover books, catalogs and full boxes of paper

Dual in-line planetary gear reducers deliver maximum torque to the cutting shafts
Four grease fittings and two oil level sight gages are the maintenance required to keep this unit working for you



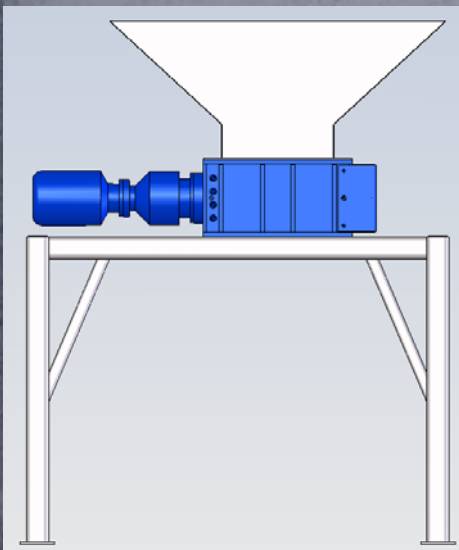


60 " LONG

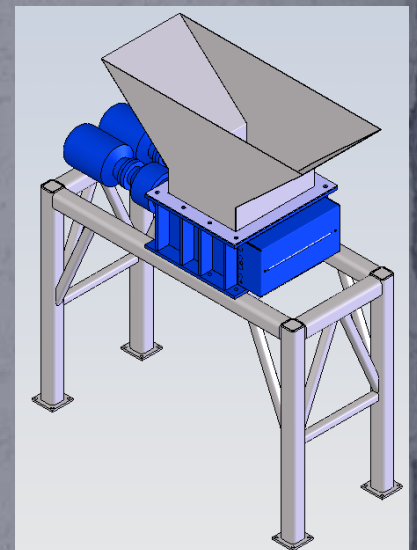


14" HIGH

30" WIDE



CAN BE MOUNTED
ON A STAND OVER
EXISTING
EQUIPMENT OR
CONVEYORS



Designed for document destruction, this pierce and tear shredder discharges into a container placed underneath the cutting chamber and can include an optional in-feed conveyor.

Standard Features:

- Twin 10 HP, direct drive motors
- 208 volt - 3 phase power
- Shred width: 5/8" nominal
- Throughput: Up to 2,000 lbs. per hour
- Front fed hopper: 10 gauge steel
- Cutting chamber: 20" L x 22" W
- Separate control panel
- Sealed bearings
- Efficient, space saving design
- Double hook hardened steel cutters
- Warranty: One year on parts
- Weight: 3,200 lbs.



-11.5" Diameter Double Hook Hardened Steel Cutters
-In Line Planetary Gear Reducers for Maximum Torque
and Optimum Space Saving Efficiency

AMS-PT HOPPER FED SHREDDERS Pierce & Tear Shredders

These hopper fed shredders can be used in conjunction with a strip cut shredder in order to produce a double cut that results in a smaller particle size.

The AMS-PT series shredders discharge onto a secondary shredder's in-feed conveyor and function as a pre-shredder in this application.

Shown at right, with an AMS-4000 industrial paper shredder, this double cut system will produce a nominal 5/8" x 1-1/2" particle size. Additional sizes are available.

Standard Features:

- Space saving versatility
- Turns an existing strip cut shredder into a double cut system
- Both shredders run independently for optimum functionality



-INCREASE YOUR THROUGHPUT
-OFFER YOUR CUSTOMERS A SMALLER PARTICLE SIZE
-IN-FEED CONVEYORS ARE AVAILABLE